

FIG. 2

Some drawings may be in perspective view, and some may be in cross-sectional view. The drawings are not to scale, and the drawings are not intended to limit the scope of the invention.

FIG. 3

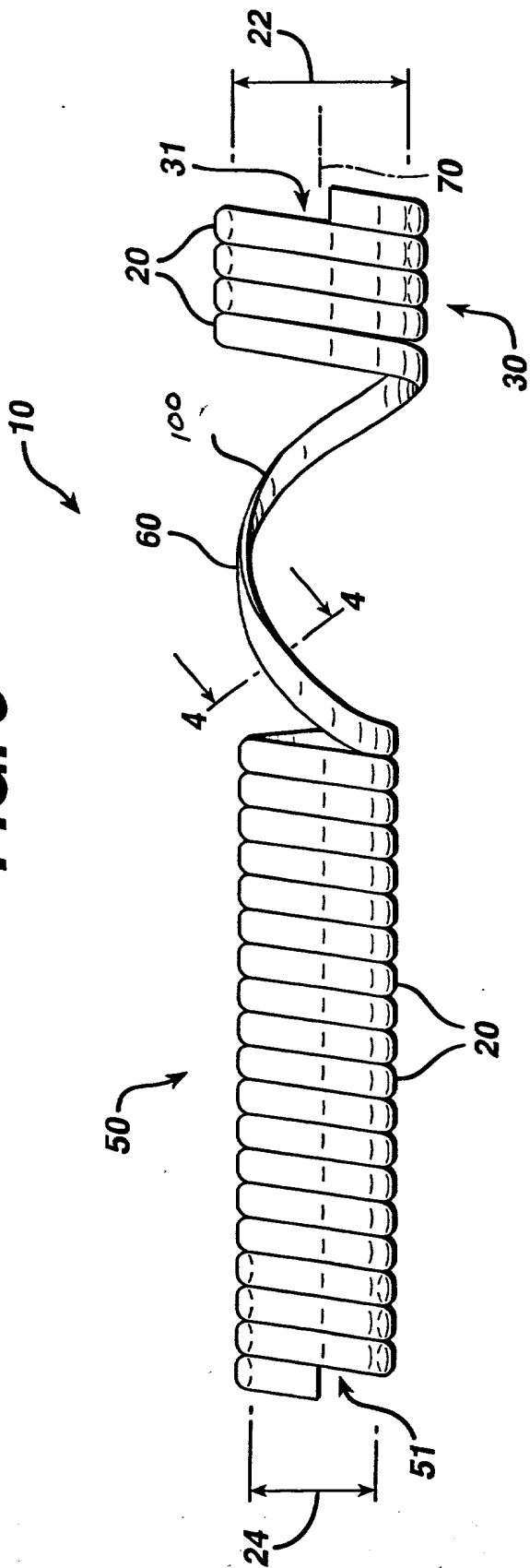


FIG. 4

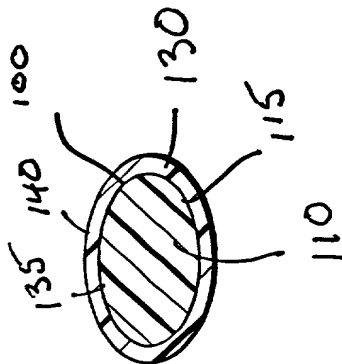
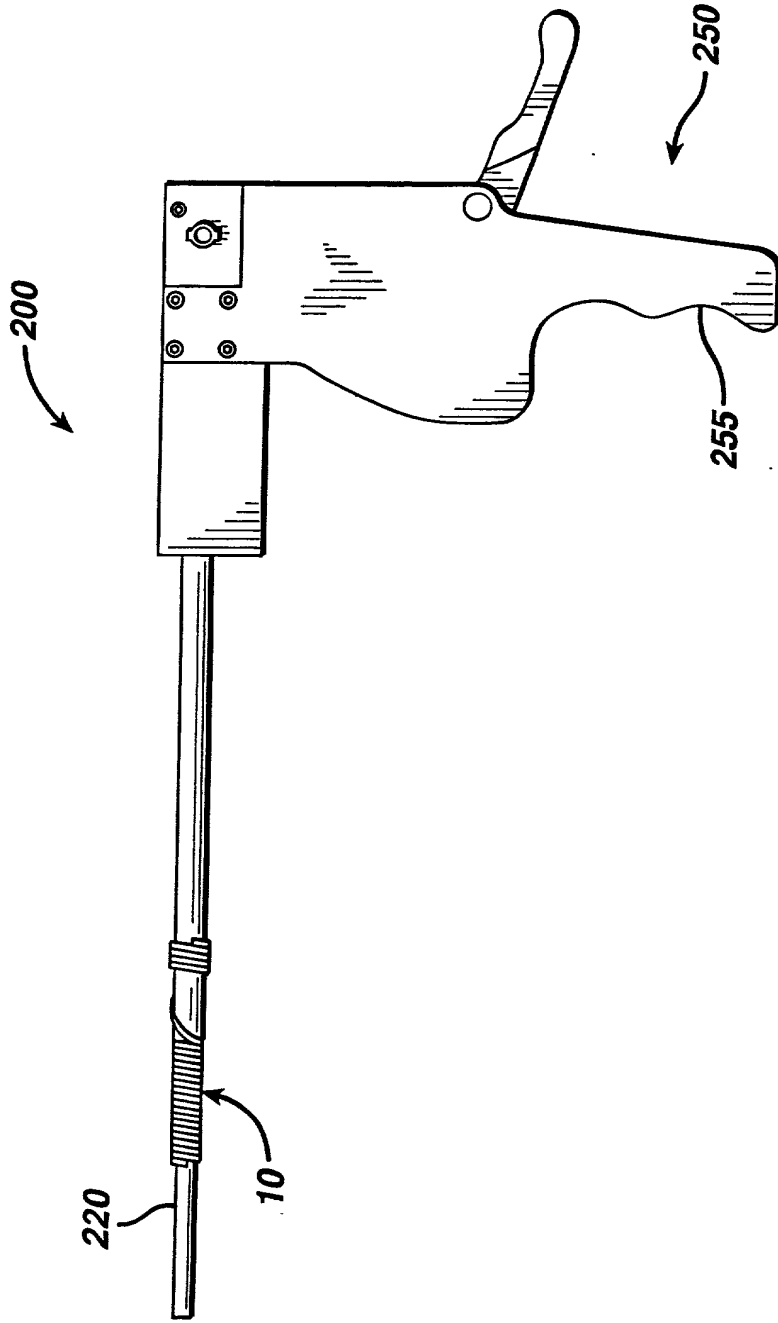
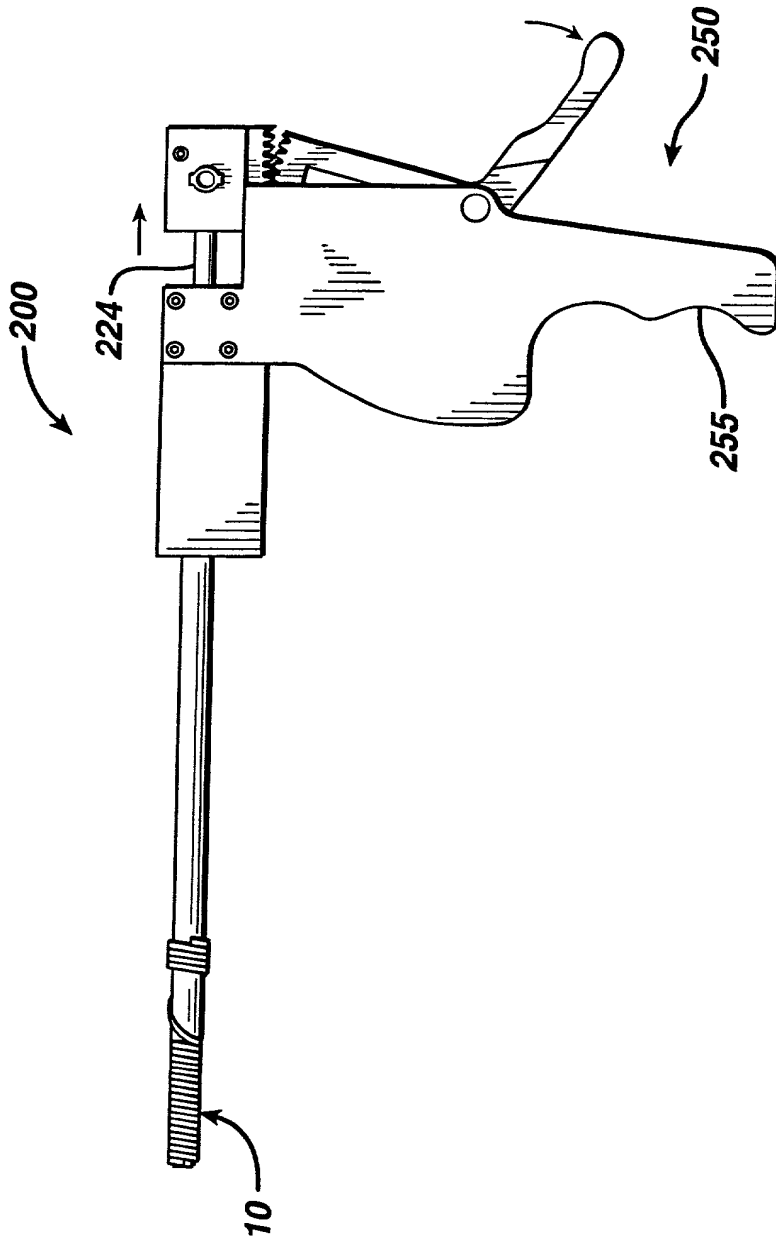


FIG. 5



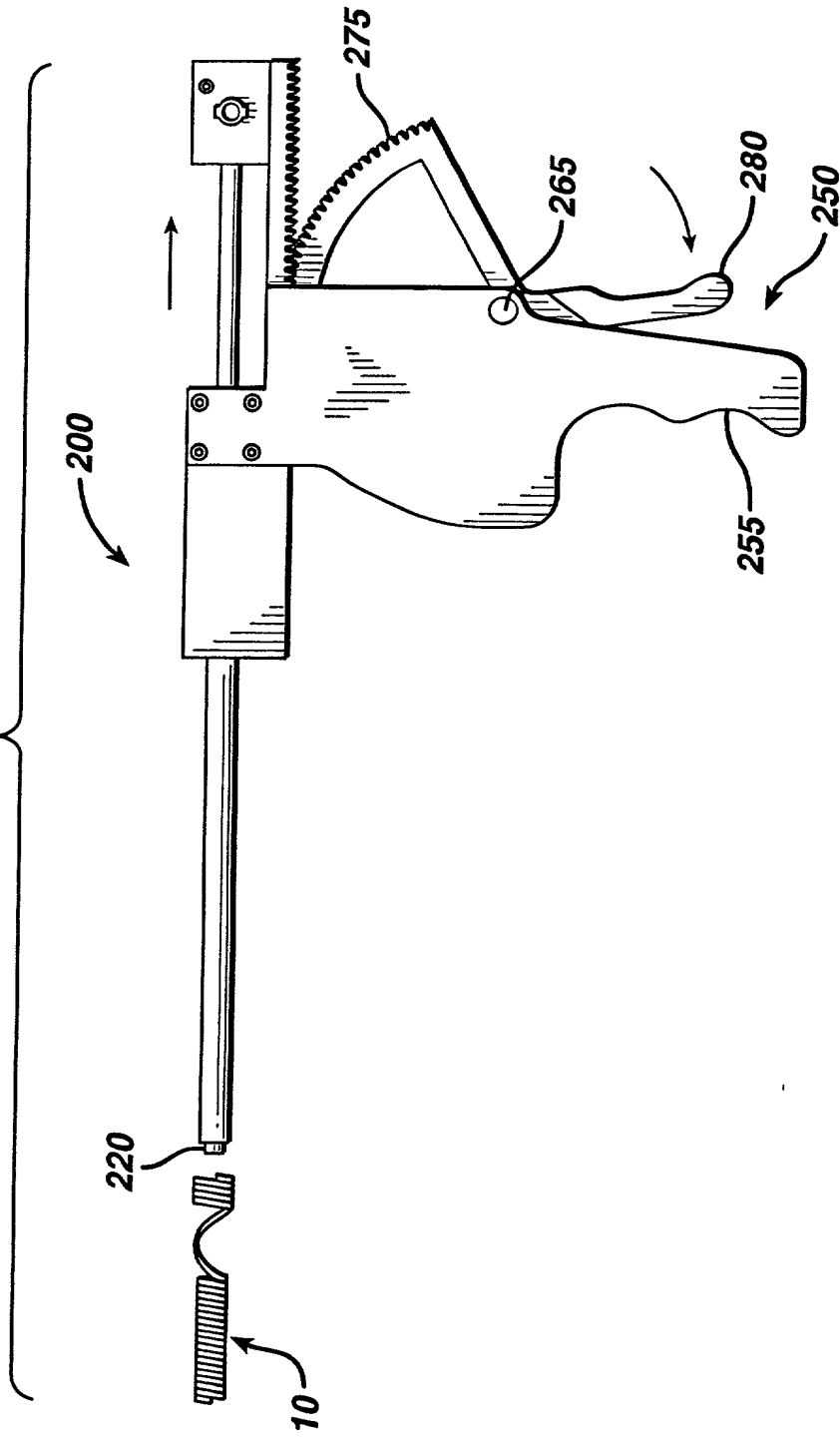
THIS DOCUMENT IS UNCLASSIFIED
DATE 08-14-2014 BY 60322 UCBAW/SJS/STP

FIG. 6



Small vertical text on the left margin, likely a page number or reference code.

FIG. 7



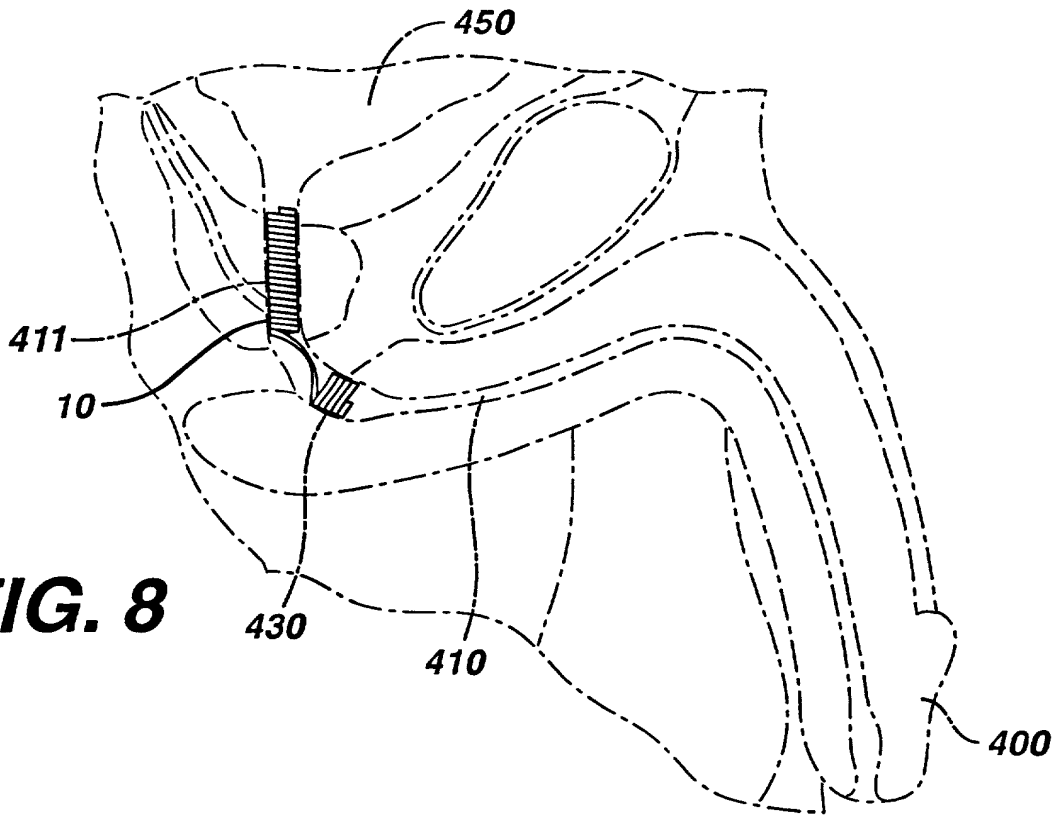


FIG. 8

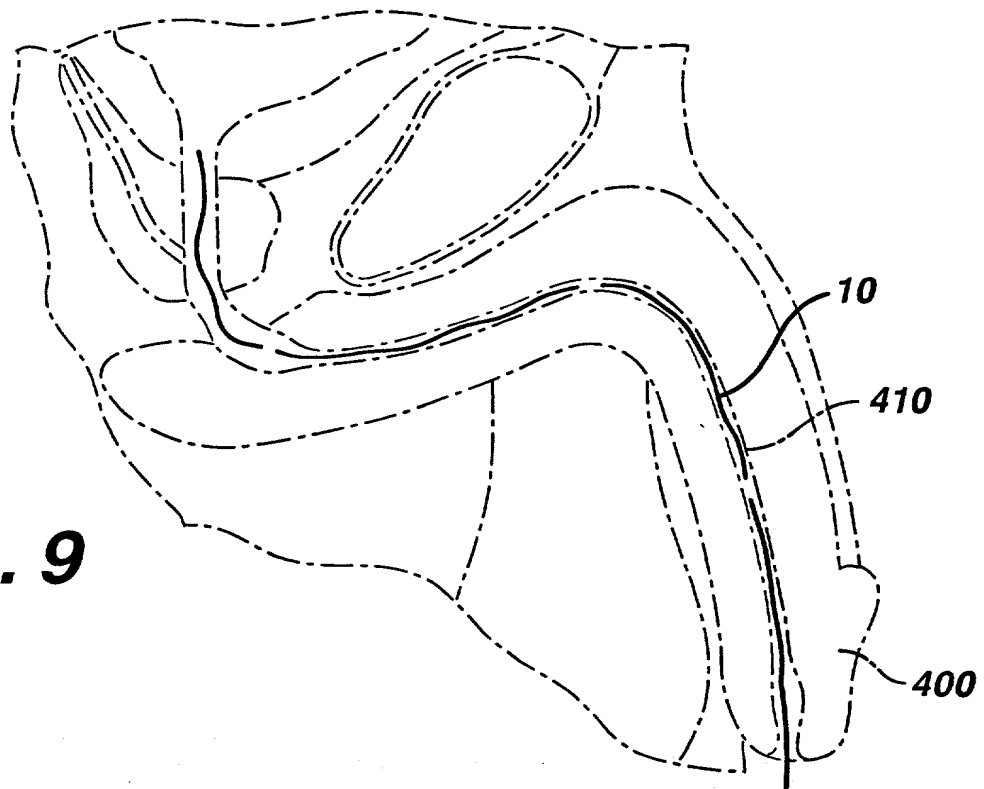


FIG. 9

Small vertical text on the left margin, likely a page number or reference code.

FIG. 10

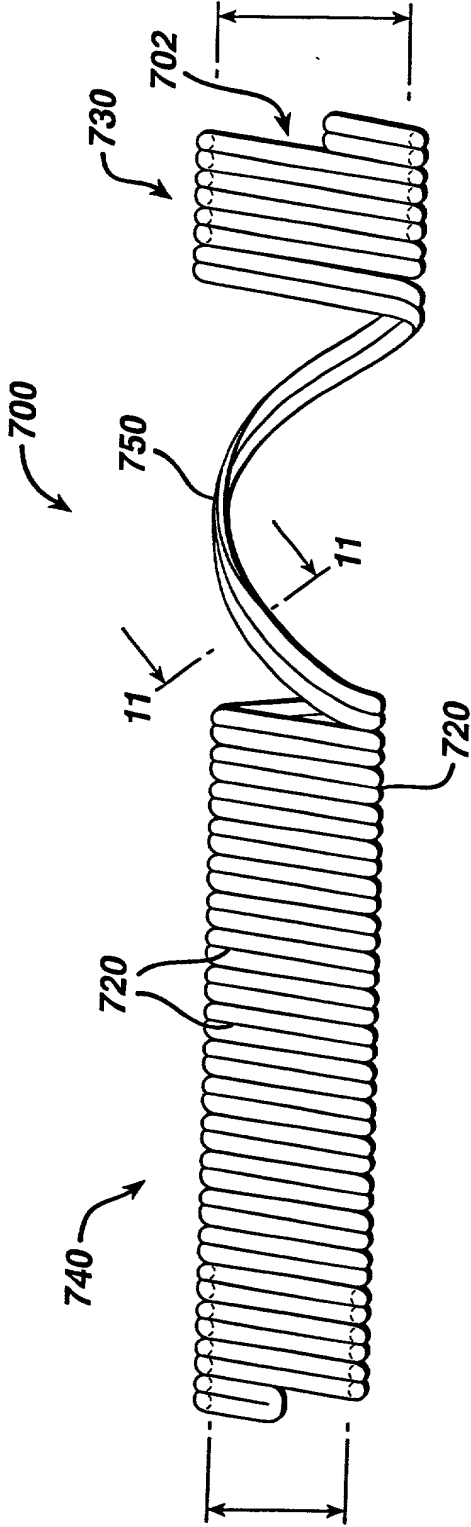


FIG. 11

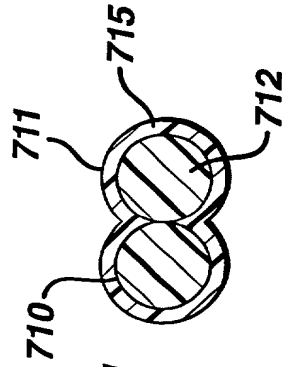


FIG. 12

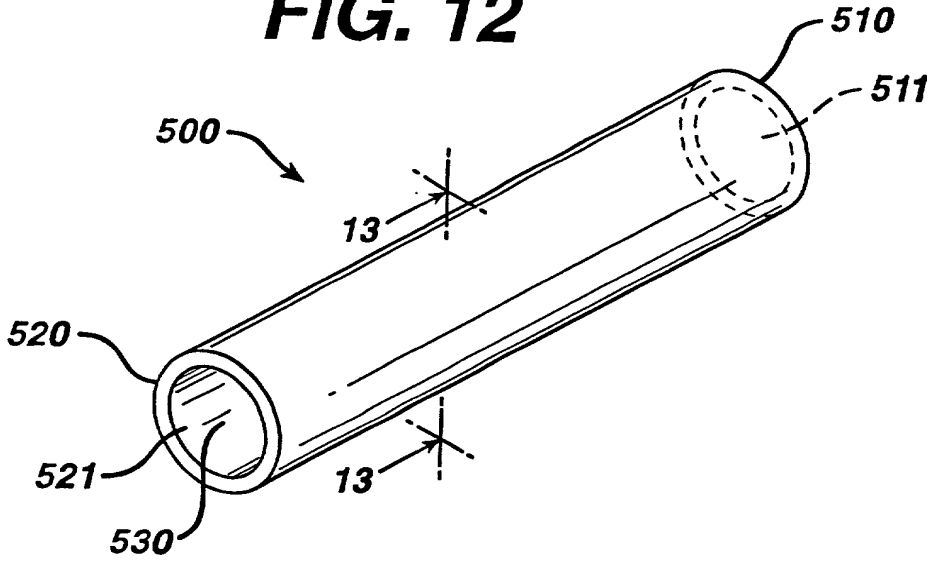


FIG. 13

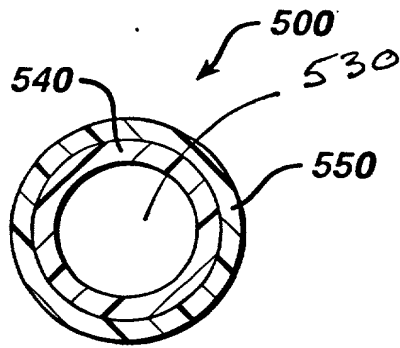


FIG. 14

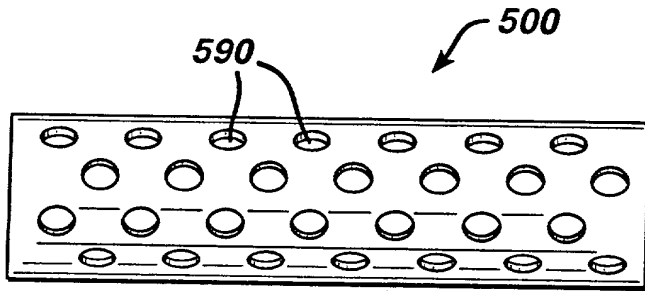


FIG. 15

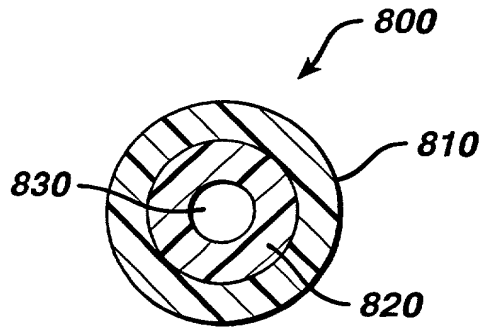


FIG. 16

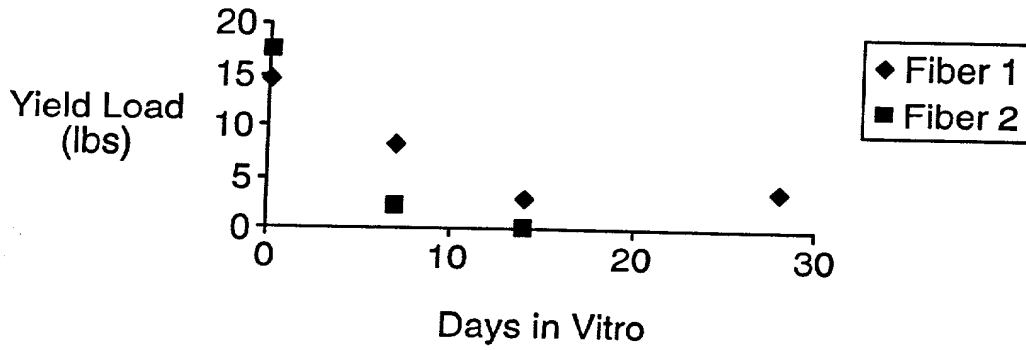


FIG. 17

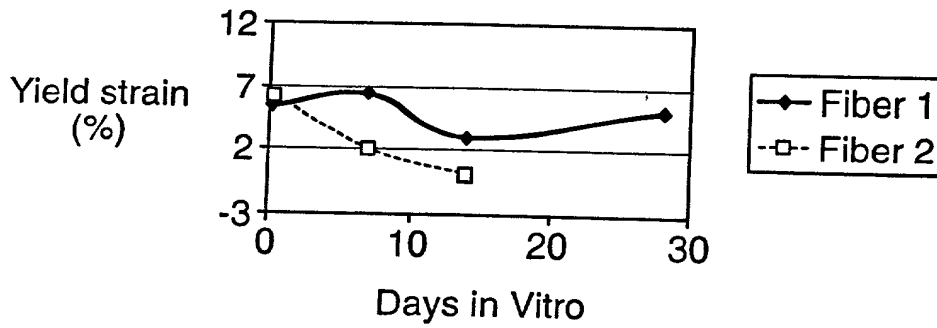


FIG. 18

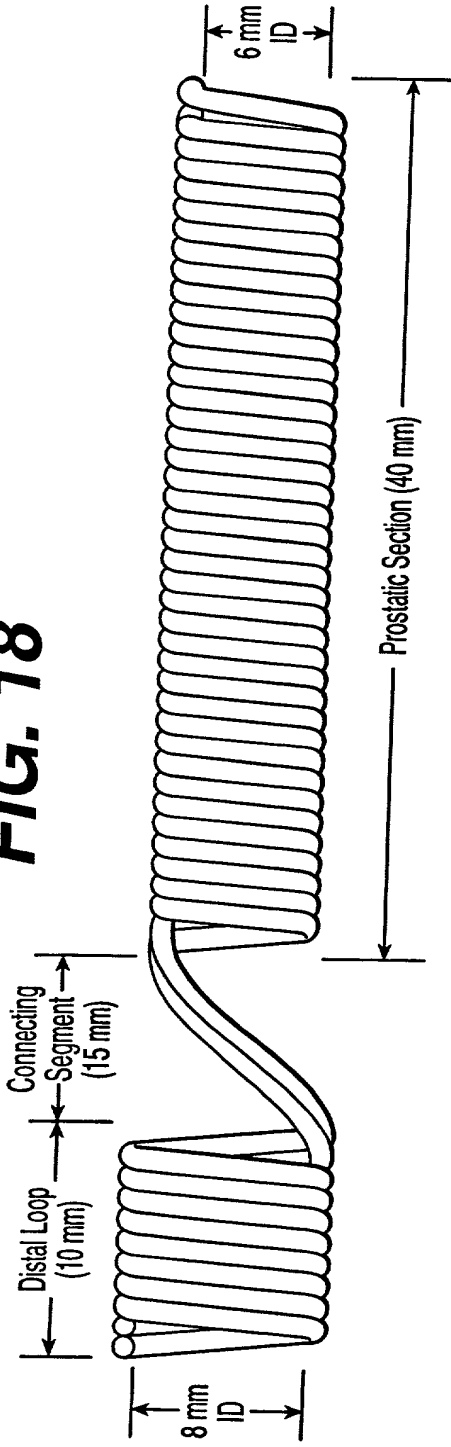


FIG. 19

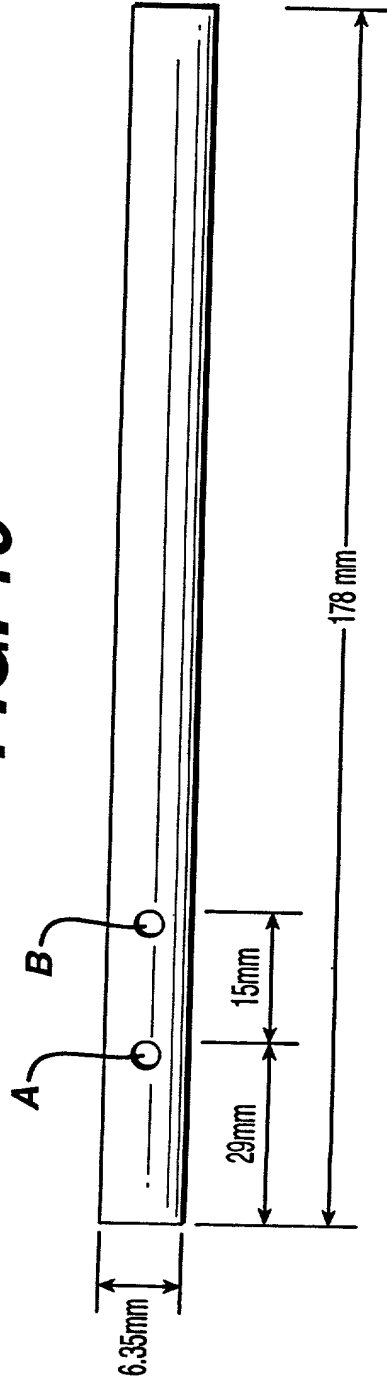


FIG. 20A

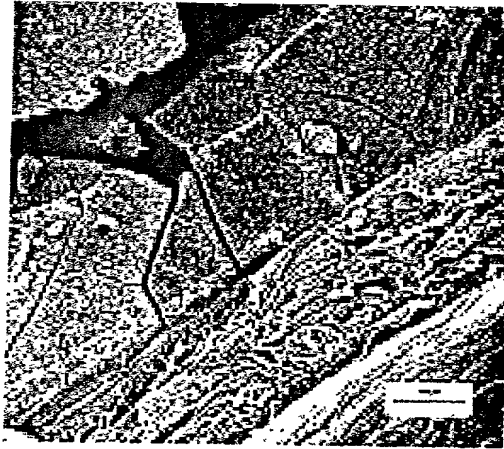
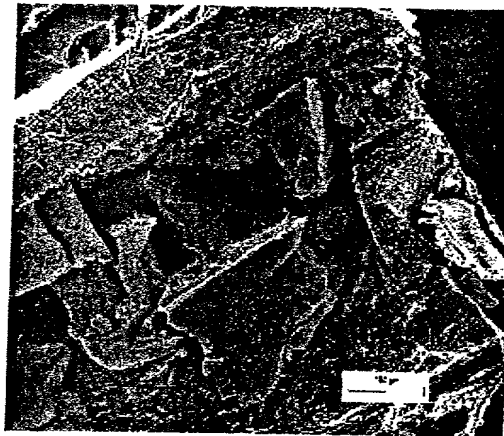


FIG. 20B



FIG. 20C



Micrograph showing a textured surface with a scale bar.